

SMK

TCR 291N TOP CASE INSTALLATION MANUAL

Going for an adventurous trip or on a leisure ride, you always need that extra space to accommodate your essentials. Here comes the SMK top case with additional space. In all your rides, your partner now comes with 29 liters of space, which keeps you tension free. Adding to that, now you can use your top case like a suitcase as well. Park your bike and take out the top case. It can be used like your personal luggage.



210.01 mm

TCR 291N

TOP CASE

INSTALLATION

MANUAL

SMK

INCLUDED IN THE BOX

- | | | | |
|------------------|-----------------------|--------------------------|--------------|
| 1. BASE PLATFORM | 2. CLAMP WASHER | 3. M6 BOLT | 4. SCREW |
| 5. COVER PLATE | 6. FITTING RACK CLAMP | 7. BOLT WASHER | 8. NYLOC NUT |
| 9. RUBBER MAT | 10. KEY AND KEY CHAIN | 11. BACKREST WITH SCREWS | |

PRODUCT HIGHLIGHTS:

TOP CASE



9 RUBBER MAT



5 COVER PLATE



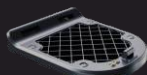
3 M6 BOLT (4 NOS)



4 SCREW (2 NOS)



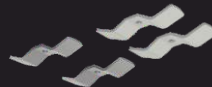
2 CLAMP WASHER (4 NOS)



1 BASE PLATFORM



8 NYLOC NUT (4 NOS)



6 FITTING RACK CLAMP(4 NOS)



7 BOLT WASHER(4 NOS)



TCR 291N

TOP CASE

INSTALLATION

MANUAL

SMK

STEP -1

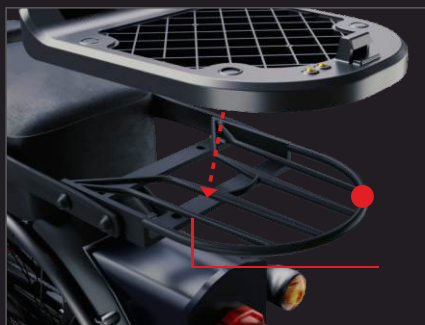
Take the fitting rack which comes as an accessory, customized according to type of bikes and fit it properly on your bike.



FITTING RACK

STEP -2

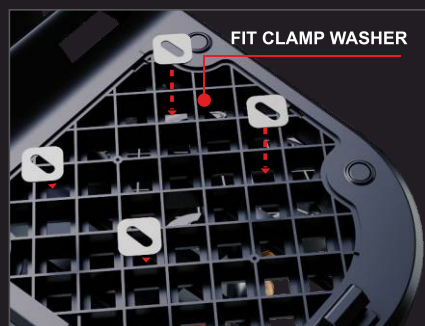
Fit the base platform on the fitting rack which comes along with the Top case as shown in the below picture.



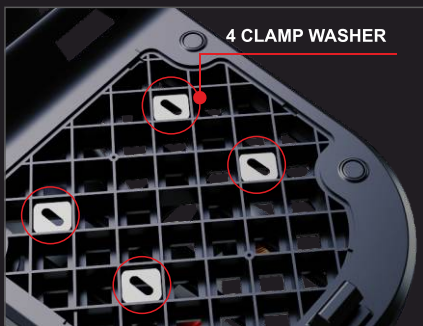
BASE PLATFORM

STEP -3

Now, put the fitting rack clamp washer one by one into the square slots provided on the base platform.



FIT CLAMP WASHER



4 CLAMP WASHER

TCR 291N

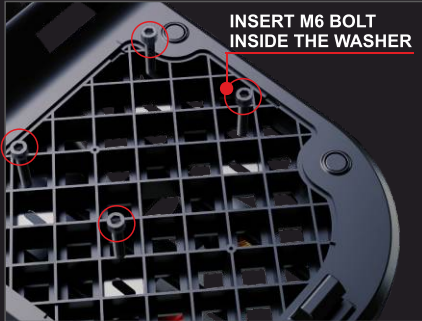
TOP CASE

INSTALLATION

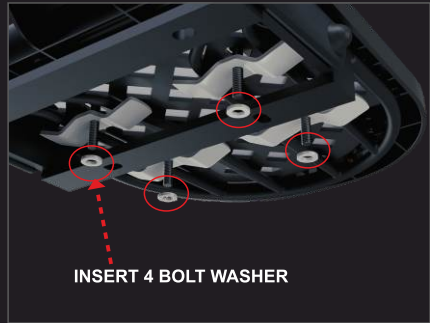
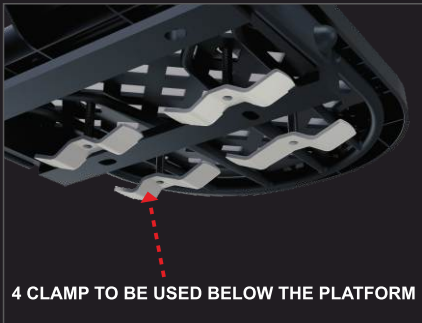
MANUAL

SMK

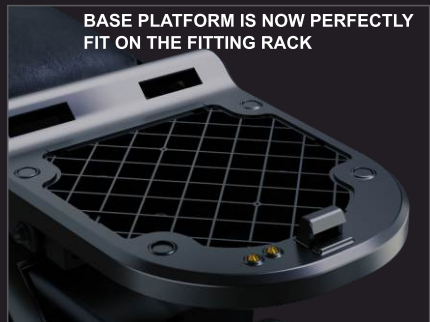
STEP -4 Put bolt over the fitting rack clamp washer as shown in the picture below.



STEP -5 Insert fitting rack clamp from underneath of base platform on bolt threaded shank and then insert washer .



STEP -6 Tighten it firmly with Nyloc anti rotation nuts. Do it for all four nuts to fit it properly. Now the base platform perfectly fits on the fitting rack.



TCR 291N

TOP CASE

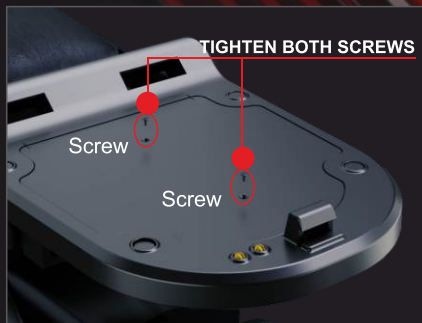
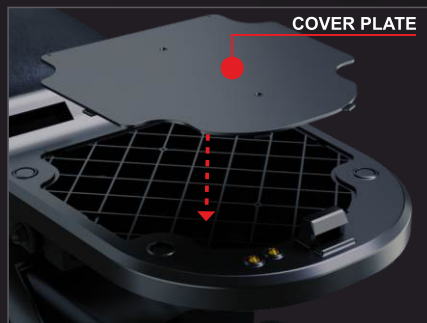
INSTALLATION

MANUAL

SMK

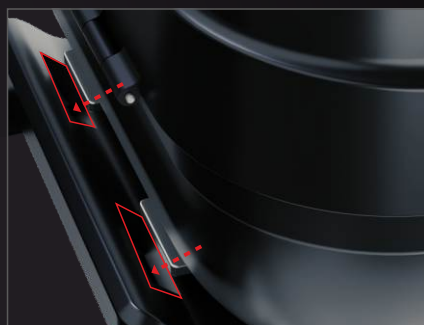
STEP -7

Put the base platform cover on the base platform, insert the side locks to fix it properly and tighten it with 2 screws as shown in the picture below.



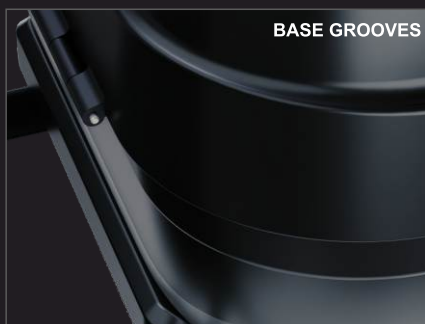
STEP -8

First, engage the top case from the back with two grooves of base platform.



STEP -9

Push the top case from front side, so that it fits perfectly on base platform.



TCR 291N

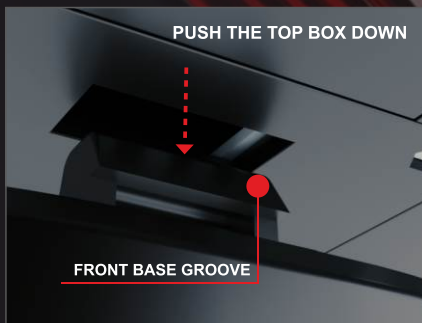
TOP CASE

INSTALLATION

MANUAL

SMK

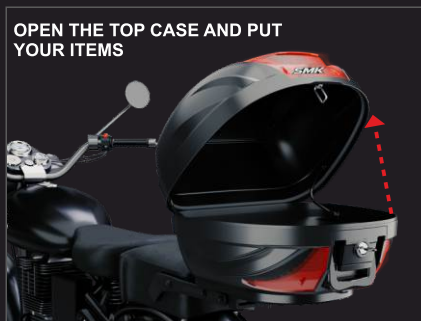
STEP -10 Push the top case from top so that it automatically fits into the front base groove as shown in the picture below.



STEP -11 Take the key out. Top case is now ready for use.



STEP -12 Insert the key and rotate it towards the left and the lid will open from the top. You can put your items inside.



TCR 291N

TOP CASE INSTALLATION MANUAL

SMK

STEP -13 Push the lid to close it. Now, rotate the key to center and take it out.

CLOSE THE TOP CASE



LOCK THE TOP CASE AND TAKE OUT THE KEY



STEP -14 To detach the top case from the base. Rotate the key towards right as shown in the picture below and pull the lever and it will detach from the front base groove. Take out the key after rotating back to its initial position.

ROTATE THE KEY RIGHT

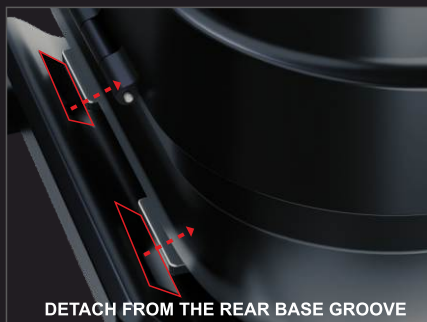


PULL OUT THE LEVER



STEP -15 Hold the handle as shown in picture below to take the top case with you.

DETACH FROM THE REAR BASE GROOVE



PULL THE HANDLE TO TAKE OUT



TCR 291N

TOP CASE

INSTALLATION

MANUAL

SMK

STEP -16 Drag the top case using the handle.



HOW TO INSTALL BACKREST?

For the convenience of the pillion rider, the top case comes with a backrest as well, placement for the same should be as per the pictures below. Open the lid of the top case, you will find four screw holes marking on the inside back of the top flap of the top case. Place all four screws on those marks, use a drilling machine (Dia. 4mm) for making holes there.



After placing the backrest, tighten the screw from inside the top case. Now the backrest is ready for use. Make the pillion rider's journey comfortable and enjoyable.

